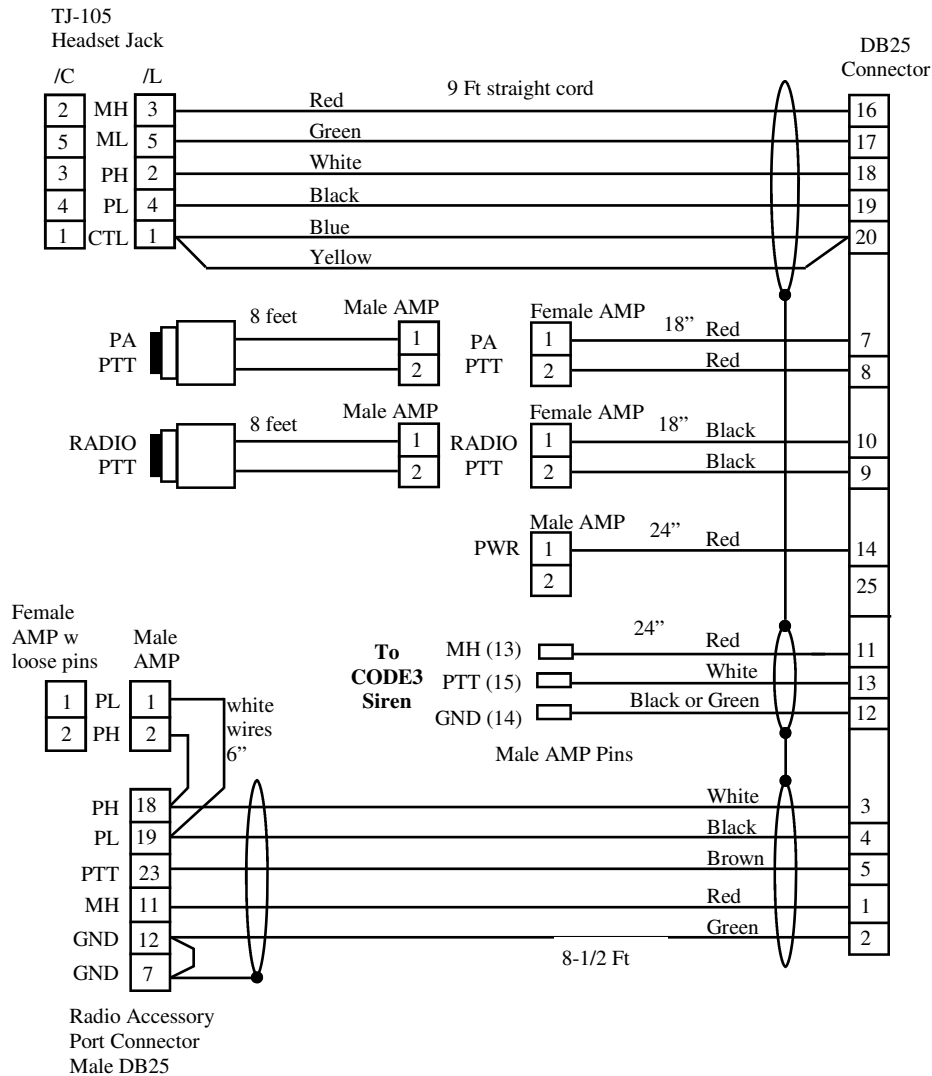


This document shall be considered PVP Communications, Inc. proprietary information and not be disclosed to any third party without the prior written consent of PVP Communications, Inc.



| Date       | Authorized | Description                                | Rev |
|------------|------------|--|-----|
| 10/14/2001 | MD         | Release                                    | NC  |
| 4/11/02    | MD         | Add note, change cable length, shield, and | A   |
|            |            | Change siren I/F to pins                   |     |
| 4/17/02    | MD         | Add speaker tail to Orion connector        | B   |
| 2/6/03     | MD         | Delete chassis lead                        | C   |
| 01-15-04   | MD         | Add R & C to PA input signal               | D   |
| 6/28/08    | MD         | Remove R & C to PA signal for Rt1200       | E   |

**NOTE:**

Kit includes: Harness Assy PVORI-A-C3-H01  
Module Assy PVPCB-BMW01 (not shown)

**NOTE:**

- Grind out holes in box and lid
- Cover shields in DB25 connector

**PART NUMBER:**

PVORI-  A-WW

| CODE | DESCRIPTION       |
|------|-------------------|
| B    | BMW PTT (no Brkt) |
| H    | Harley PTT        |
| K    | Kawasaki PTT      |
| G    | Generic PTT       |

| CODE | DESCRIPTION     |
|------|-----------------|
| /L   | Military Wiring |
| /C   | Nonstd Wiring   |

*PVP Communications, Inc*

|                  |  |
|------------------|--|
| Eng              | Title: Motor Kit, ORION Mobile with CODE3 Siren, Autoswitching Configuration |
| Check            |  |
| Date: 10/14/2001 |  |
| Sheet 1 of 1     | Drawing No: PVORI-A-C3   |