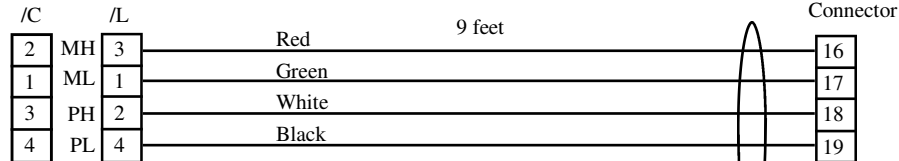


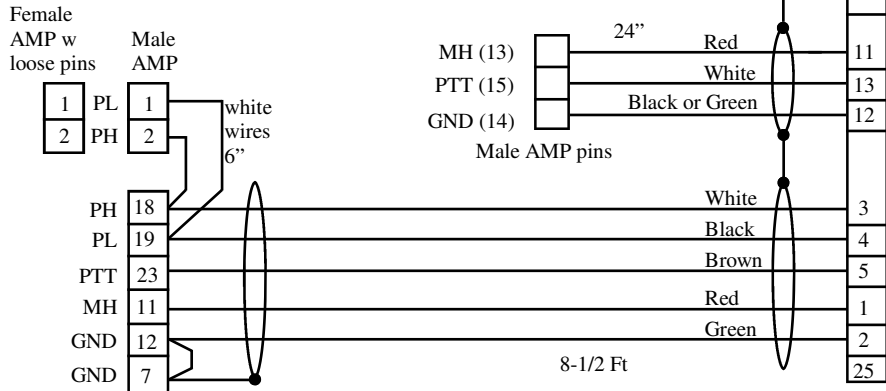
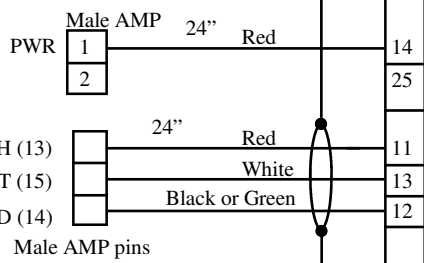
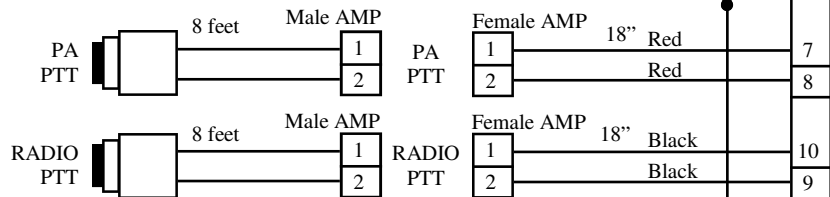
This document shall be considered PVP Communications, Inc. proprietary information and not be disclosed to any third party without the prior written consent of PVP Communications, Inc.

TJ-101

Headset Jack



(Supply Clamp Loose in Kit)



Radio Accessory Port Connector Male DB25

Date	Authorized	Description	Rev
10/11/2002	MD	Release	NC
01-15-04	MD	Add R & C to PA input signal	A
6-28-08	MD	Remove R and C from PA for RT1200	B

NOTE:
Kit includes: Harness Assy PVORI-P-C3-H01
Module Assy VVPCB-BMW01 (not shown)

- NOTE:**
- Grind out holes in box and lid
 - Cover shields in DB25 connector

PART NUMBER:

PVORI- P-C3

CODE	DESCRIPTION
B	BMW PTT (no Brkt)
H	Harley PTT
K	Kawasaki PTT
G	Generic PTT

CODE	DESCRIPTION
/L	Military Wiring
/C	Nonstd Wiring

PVP Communications, Inc

Eng	Title: Motor Kit, ORION Mobile with Code3 Siren, "P" Configuration
Check	
Date: 10/14/2002	
Sheet 1 of 1	Drawing No: PVORI-P-C3