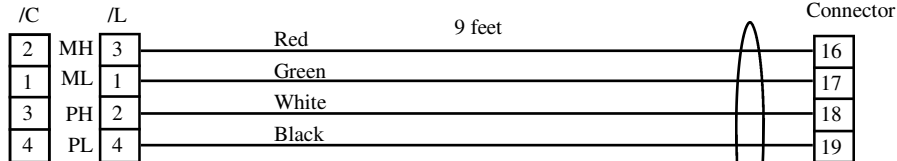
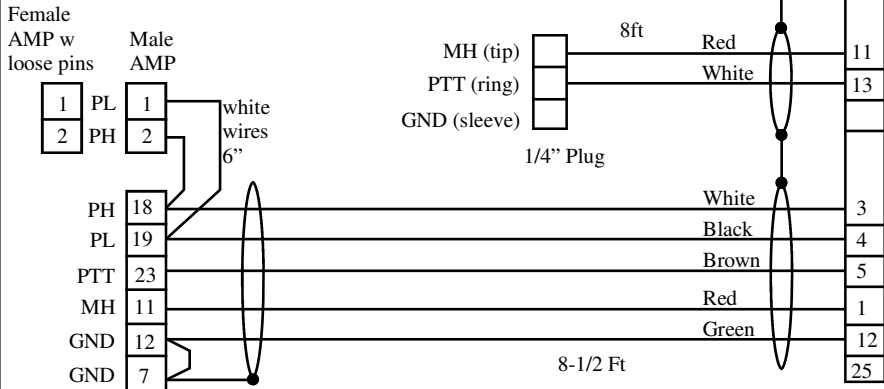
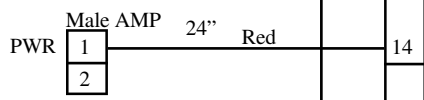
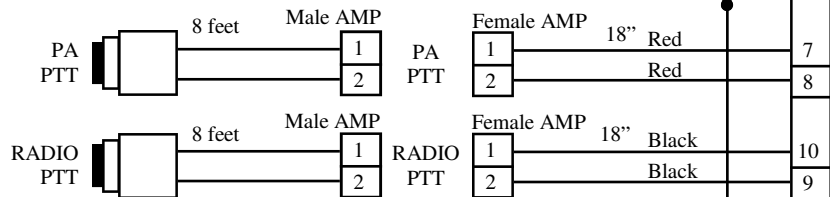


This document shall be considered PVP Communications, Inc. proprietary information and not be disclosed to any third party without the prior written consent of PVP Communications, Inc.

TJ-101  
Headset Jack



(Supply Clamp  
Loose in Kit)



Radio Accessory  
Port Connector  
Male DB25

| Date       | Authorized | Description      | Rev |
|------------|------------|------------------|-----|
| 10/11/2002 | MD         | Release          | NC  |
| 2-2-06     | MD         | Remove PA ground | A   |
|            |            |                  |     |
|            |            |                  |     |

**NOTE:**  
Kit includes: Harness Assy PVORI-P-WW-H01  
Module Assy PVPCB-BMW01 (not shown)

- NOTE:**
- Grind out holes in box and lid
  - Cover shields in DB25 connector

**PART NUMBER:**  
PVORI-  P-WW

| CODE | DESCRIPTION       |
|------|-------------------|
| B    | BMW PTT (no Brkt) |
| H    | Harley PTT        |
| K    | Kawasaki PTT      |
| G    | Generic PTT       |

| CODE | DESCRIPTION     |
|------|-----------------|
| /L   | Military Wiring |
| /C   | Nonstd Wiring   |

*PVP Communications, Inc*

|                  |   |
|------------------|---|
| Eng              | Title: Motor Kit, ORION Mobile<br>with Harley Siren,<br>"P" Configuration |
| Check            |   |
| Date: 10/14/2002 |   |
| Sheet 1 of 1     | Drawing No: PVORI-P-WW  |