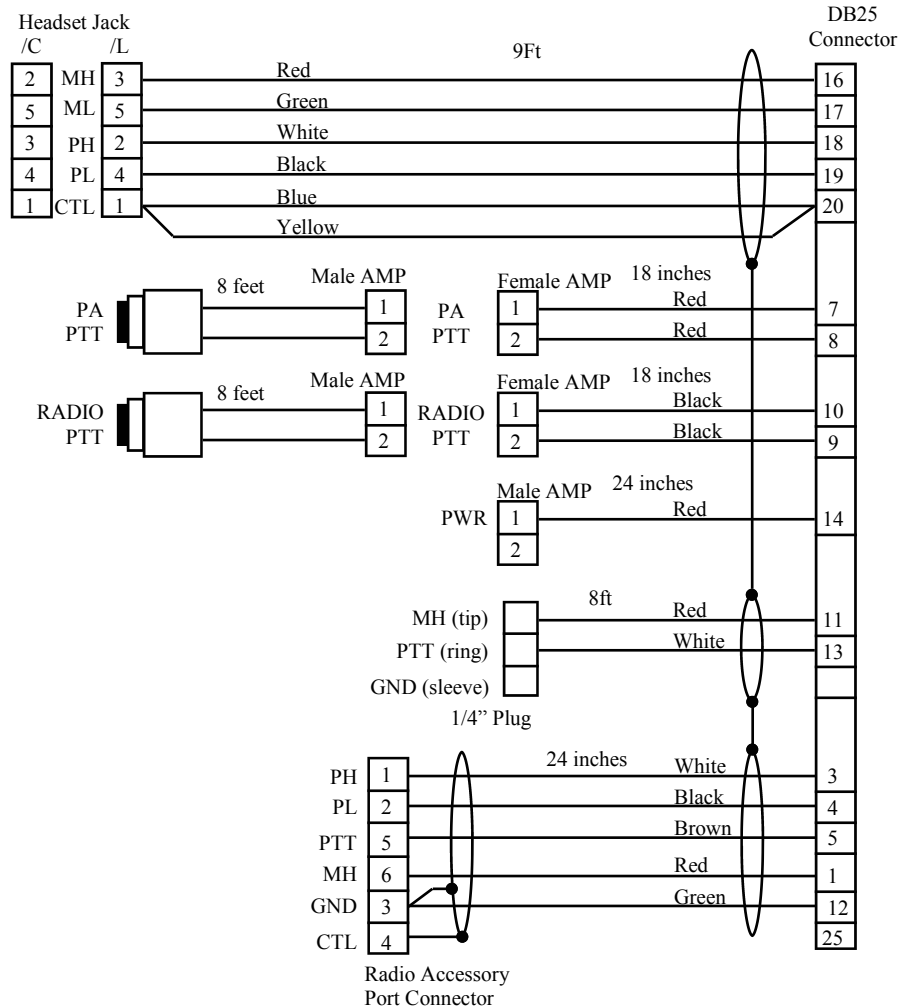


This document shall be considered PVP Communications, Inc. proprietary information and not be disclosed to any third party without the prior written consent of PVP Communications, Inc.



Date	Authorized	Description	Rev
01-09-03	MD	Switch to separable harness & box config	A
02-06-03	MD	Delete chassis lead	B
2-2-06	MD	Remove PA ground	C

NOTE:
 Kit includes: Harness Assy PVSP-A-WW-H01
 Module Assy PVPCB-BMW01 (not shown)
 Grind out holes in box and lid
 cover shields in DB25 Connector

PART NUMBER:
 PVSP- [] A-WW []

CODE	DESCRIPTION
B	BMW PTT (no Brkt)
H	Harley PTT
K	Kawasaki PTT
G	Generic PTT

CODE	DESCRIPTION
/L	Military Wiring
/C	Nonstd Wiring

PVP Communications, Inc

Auth:	Title:
Rev: NC	Motor Kit, SPECTRA Mobile w/ Harley WS320 Siren, Autoswitching
Date:	
Sheet 1 of 1	Drawing No: PVSP-A-WW