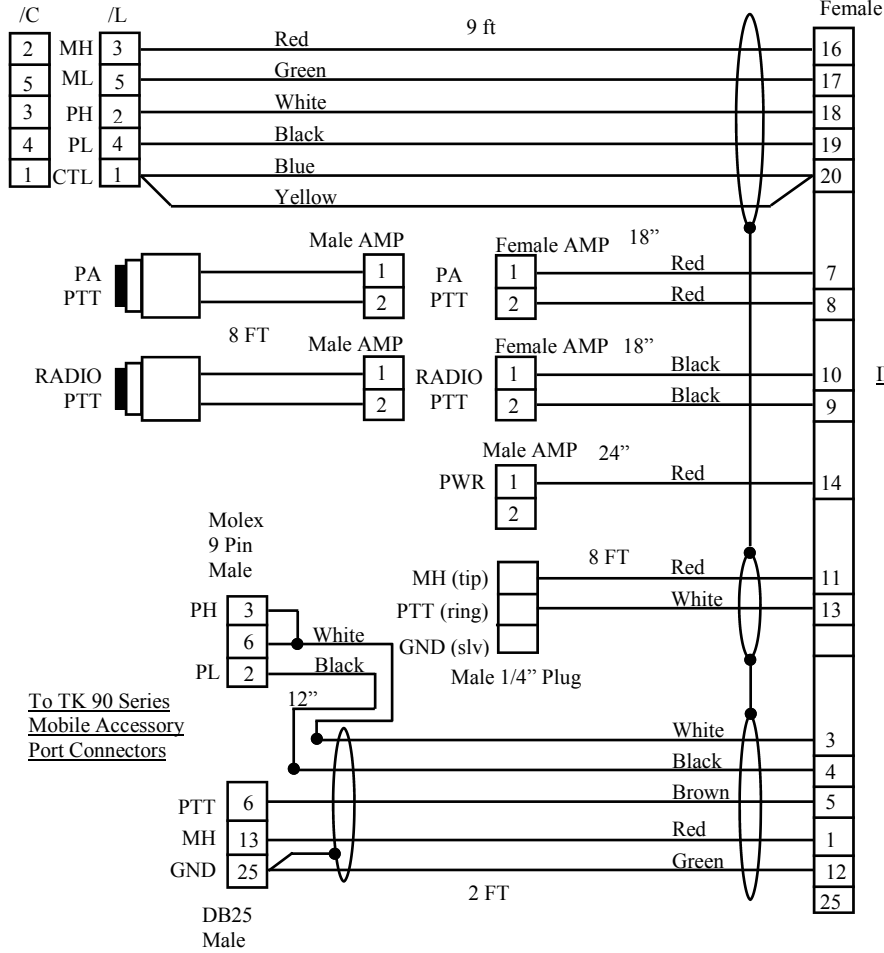


This document shall be considered PVP Communications, Inc. proprietary information and not be disclosed to any third party without the prior written consent of PVP Communications, Inc.

TJ-105
Headset Jack



| Date | Authorized | Description | Rev |
|------------|------------|--|-----|
| 02/27/2002 | MD | Switch to separable harness & box config | A |
| 2-2-06 | MD | Remove PA ground | B |
| | | | |
| | | | |

NOTE:
Kit includes: Harness Assy PVTK79-A-WW-H01
Module Assy VVPCB-BMW01 (not shown)

- NOTE:**
- Grind out holes in box and lid
 - Cover shields in DB25 connector

TO
INTERFACE
CONTROL
MODULE

PART NUMBER:
PVTK79- A-WW

| CODE | DESCRIPTION |
|------|-------------------|
| B | BMW PTT (no Brkt) |
| H | Harley PTT |
| K | Kawasaki PTT |
| G | Generic PTT |

| CODE | DESCRIPTION |
|------|-----------------|
| /L | Military Wiring |
| /C | Nonstd Wiring |

PVP Communications, Inc

| | |
|------------------|--|
| Eng | Title: Motor Kit, TK90 Series Mobile Radio, Autoswitching, with Whelen Siren |
| Check | |
| Date: 02/27/2002 | |
| Sheet 1 of 1 | Drawing No: PVTK79-A-WW |