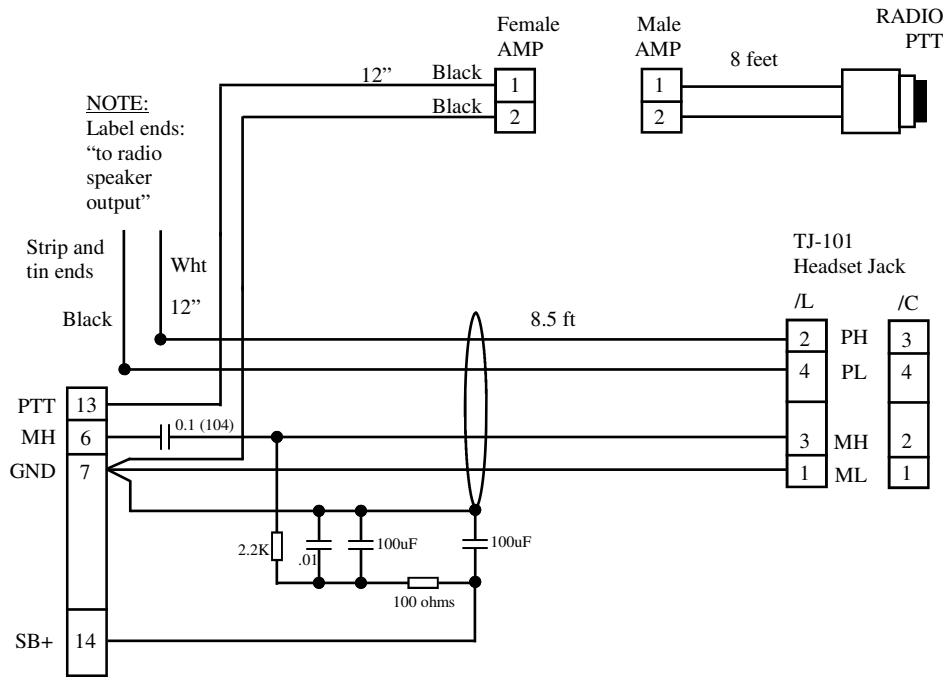


This document shall be considered PVP Communications, Inc. proprietary information and not be disclosed to any third party without the prior written consent of PVP Communications, Inc.

Date	Authorized	Description	Rev
03-07-02	MD	Release	NC
09-29-06	MD	Change MH to pin 6 (was pin 12)	A



Radio Accessory
Port Connector
Male DB25

NOTE:

- Do not install strain relief in backshell
- Cut strain relief holder out of backshell and tie wrap inside and outside of backshell
- Supply clamp for TJ101 loose in kit
- Label speaker wires "to radio speaker output"

PART NUMBER:

PVTK8180- [] []

CODE	DESCRIPTION
B	BMW PTT (no Brkt)
H	Harley PTT
K	Kawasaki PTT
G	Generic PTT

CODE	DESCRIPTION
/L	Military Wiring
/C	Nonstd Wiring

PVP Communications, Inc

Eng	Title: Motor Kit, TK7180/8180 Mobile
Check	
Date: 03/07/2002	
Sheet 1 of 1	Drawing No: PVTK8180