

This document shall be considered PVP Communications, Inc. proprietary information and not be disclosed to any third party without the prior written consent of PVP Communications, Inc.

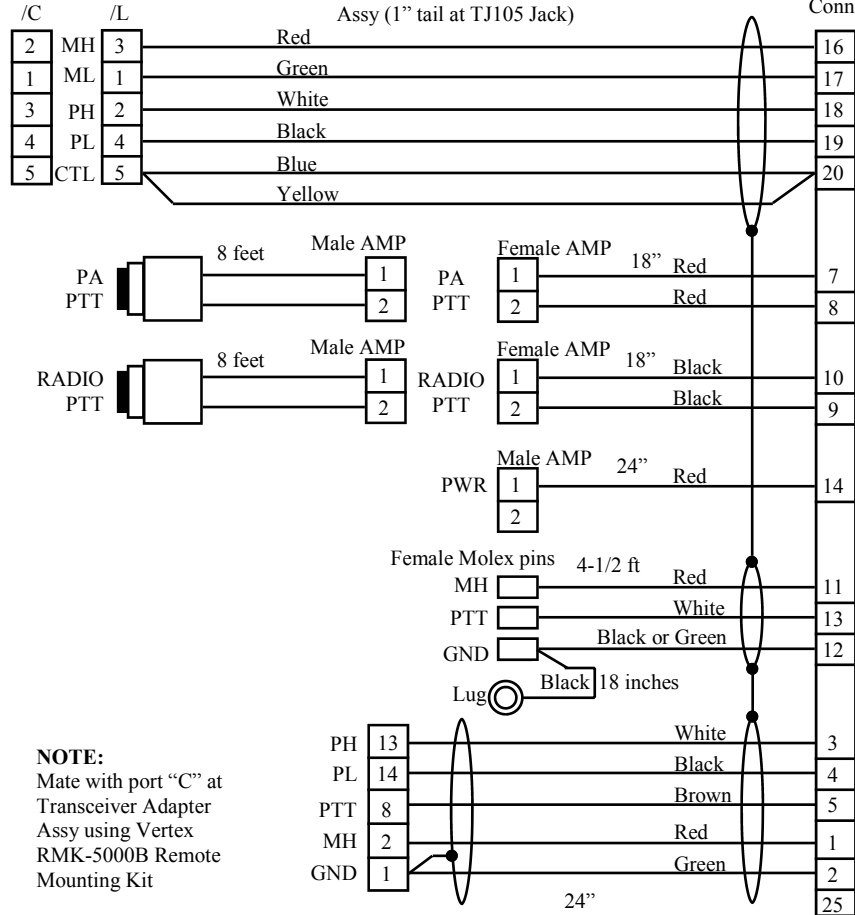
Date	Authorized	Description	Rev
09/22/2004	MD	Release	NC

TJ-105

Headset Jack

PVMK-HAR05 Coilcord
Assy (1" tail at TJ105 Jack)

DB25
Connector



NOTE:
Mate with port "C" at
Transceiver Adapter
Assy using Vertex
RMK-5000B Remote
Mounting Kit

15 contact JST Radio
Accessory Connector
SPH-002T-P0.5S (pins)
PHR-15 (housing)

NOTE:

Kit includes: Harness Assy PVVX-AP-U8-H01
Module Assy PVPCB-BMW01 (not shown)

NOTE:

- Grind out holes in box and lid
- Cover shields in DB25 connector

PART NUMBER:

PVVX- AP-U8

CODE	DESCRIPTION
B	BMW PTT (no Brkt)
H	Harley PTT
K	Kawasaki PTT
G	Generic PTT

CODE	DESCRIPTION
/L	Military Wiring
/C	Nonstd Wiring

PVP Communications, Inc

Eng	Title: Motor Kit, Vertex VX Series Mobile with Unitrol 80K Siren, Autoswitching, "P" Configuration
Check	
Date: 09/22/2004	
Sheet 1 of 1	Drawing No: PVVX-AP-U8