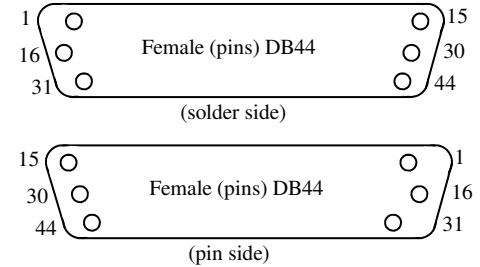
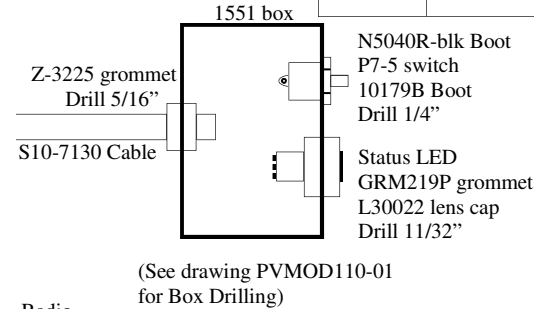
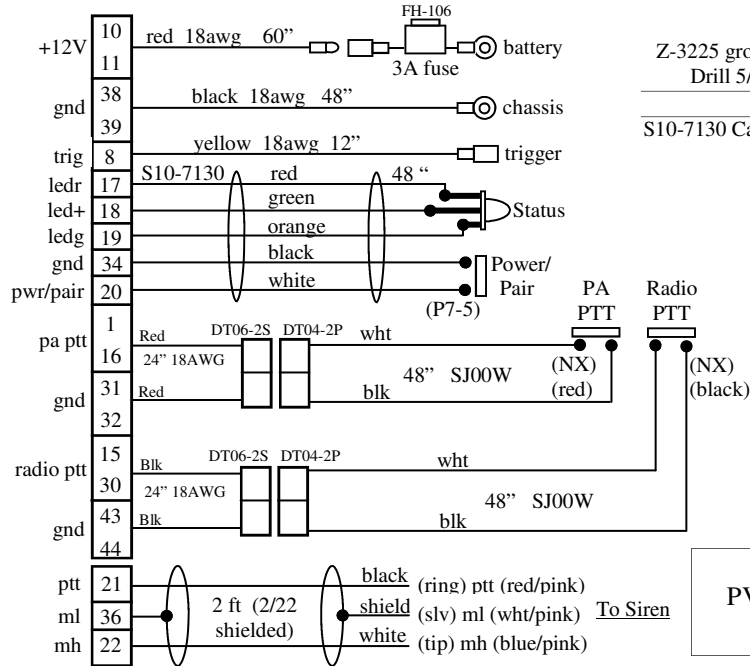


This document shall be considered PVP Communications, Inc. proprietary information and not be disclosed to any third party without the prior written consent of PVP Communications, Inc.

Date	Authorized	Description	Rev
02/26/2007	MD	Release	NC
03-27-07	MD	Move SB, change 1K to 1.5K	A
04-06-07	MD	Add Mic En	B

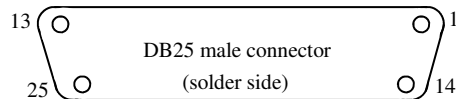
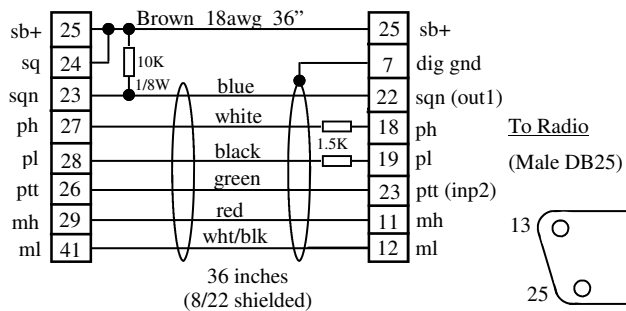


**NOTES:**

- 1) Install Status LED and Power/Pairing Switch in 1551 box as shown. Assemble N5040R-blk cover to P7-5 switch with star washer and 10179B boot, L30022 lens cap to LED, cover LED with adhesive sleeve, and install into GRM219P grommet.
- 2) Label as shown and include installation instructions
- 3) Ream DB44 (plastic) backshell with 1/2" Drill
- 4) Complete assembly includes Module PN: PVG2AS (not shown), Kickstand Switch Assembly PN: PVHDKCK-01, PTT Assy PN: PVPPTT2-H02-DT and Harness Assembly PN: PVORI-HA-WW-XMH
- 5) Assemble O-ring, backshells, boots and PTT switches to dual Harley PTT bracket (not shown) PN: PVHARPTT-02
- 6) To panel mount Power/Pairing switch and Status LED on motor, open 1551 box, remove switch and LED. Drill 1/4" hole to install P7-5 switch on motor, drill 11/32" hole to install LED grommet on motor
- 7) Cover unused lead at kickstand switch with sleeve, then apply adhesive sleeve over cable connection
- 8) Include mounting HW noted in installation instructions
- 9) At Radio, program INP2 for PTT (*not Ext PTT*), and OUT1 for EXT

**LABEL:**

PVORI-HA-WW-XMH  
Rev B



Eng	Title: Motor Kit, Orion Mobile with WS320 Siren, G2 Wireless, for Harley Motor
Check	
Date: 04/28/2006	
Sheet 1 of 1	Drawing No: PVORI-HA-WW/XM