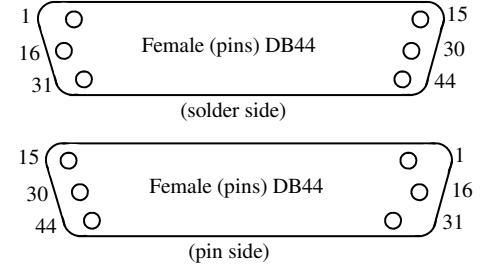
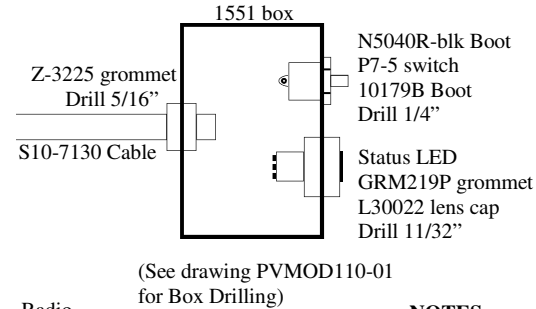
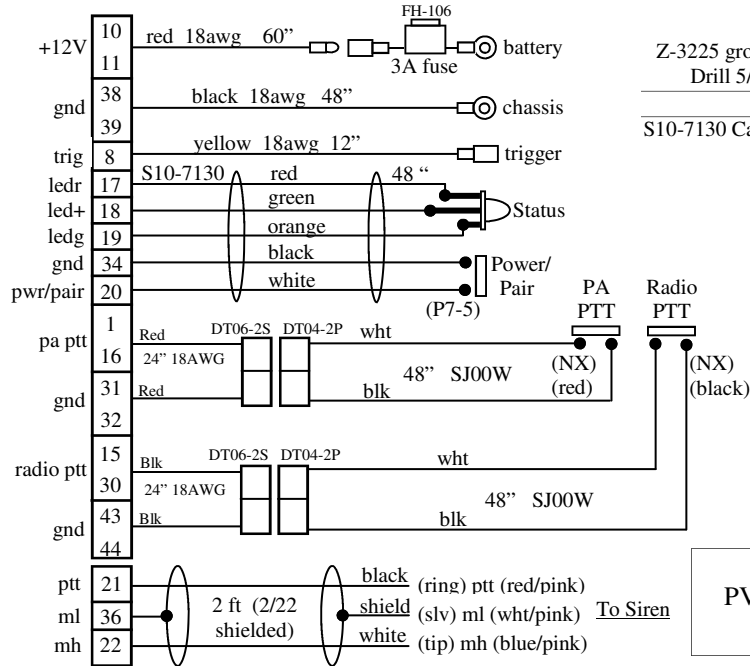
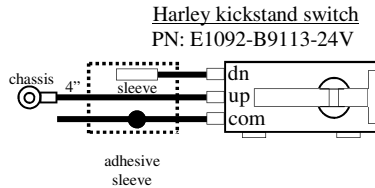
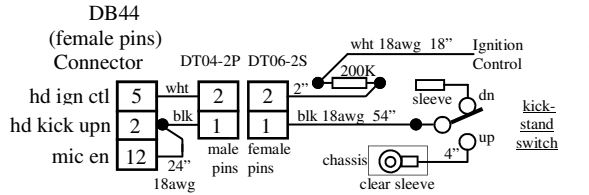


This document shall be considered PVP Communications, Inc. proprietary information and not be disclosed to any third party without the prior written consent of PVP Communications, Inc.

Date	Authorized	Description	Rev
04/28/2006	MD	Release	NC
12-08-06	MD	Change fuse assy, add 6.8k Resistor	A
1/18/07	MD	Add DT connectors and PTT O-Ring	B
2/23/2007	MD	Add DT at kickstand and SQ option cables	C
02-26-07	MD	Change 6.8K to 1K	D
03-27-07	MD	Change 1K to 1.5K, move SB	E
04-06-07	MD	Add Mic En	F

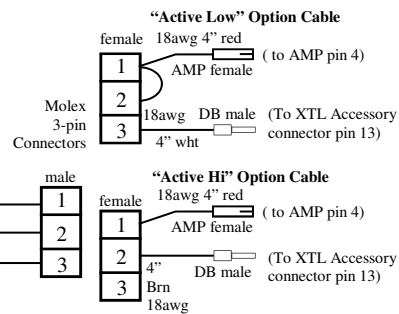


**NOTES:**

- 1) Install Status LED and Power/Pairing Switch in 1551 box as shown. Assemble N5040R-blk cover to P7-5 switch with star washer and 10179B boot, L30022 lens cap to LED, cover LED with adhesive sleeve, and install into GRM219P grommet.
- 2) Label as shown and include installation instructions
- 3) Ream DB44 (plastic) backshell with 1/2" Drill
- 4) Complete assembly includes Module PN: PVG2AS (not shown), Kickstand Switch Assembly PN: PVHDKCK-01, PTT Assy PN: PVPTT2-H02-DT and Harness Assembly PN: PVXTL-HA-WW-XMH
- 5) Assemble O-ring, backshells, boots and PTT switches to dual Harley PTT bracket (not shown) PN: PVHARPTT-02
- 6) To panel mount Power/Pairing switch and Status LED on motor, open 1551 box, remove switch and LED. Drill 1/4" hole to install P7-5 switch on motor, drill 11/32" hole to install LED grommet on motor
- 7) Cover unused lead at kickstand switch with sleeve, then apply adhesive sleeve over cable connection
- 8) Include mounting HW noted in installation instructions

**LABEL:**

PVXTL-HA-WW-XMH  
Rev F



Eng	Title: Motor Kit, Motorola XTL Mobile with WS320 Siren, G2 Wireless, for Harley Motor
Check	
Date: 04/28/2006	
Sheet 1 of 1	Drawing No: PVXTL-HA-WW/XM

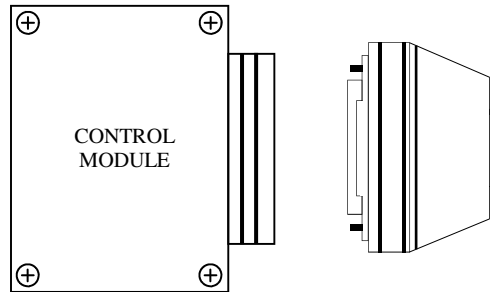


# INSTALLATION DIAGRAM

Included in this Kit:

- 1) Control Module: PVG2AS
- 2) Harness Assembly: PVXTL-HA-WW-XMH
- 3) PTT Bracket: PVHARPTT-02
- 4) Kickstand Switch Assembly: PVHDKCK-01
- 5) PTT Assembly: PVPPT2-H02-DT
- 6) Tie Wraps (15)

**QUESTIONS? call us at 800-584-4119 Monday through Friday, 7AM to 4PM Pacific Time, USA.**



**ELECTRAGLIDE** - Mount MODULE directly under windshield and inside fairing  
**ROAD KING** - Mount MODULE directly under radio control head

**NOTE: Mount transceiver module away from radio speakers.**

**CUT OUT AND MOUNT IN CONVENIENT LOCATION:**

**PAIRING QUICK GUIDE**

**NOTE: All other Bluetooth devices in the immediate area must be powered off.**

- 1) Power off both devices. Press each PAIR switch until LED goes to a solid color (2-3 seconds), then release.
- 2) Press and hold **Motor** PAIR switch until LED toggles red-green-red-green, then release it and immediately:
- 3) Press and hold **Shouldermic (or Headset)** PAIR switch until LED toggles red-green-red-green, then release.
- 4) After 10-15 seconds, a green pulse will confirm PAIR is established.

**MOBILE RADIO VOLUME ADJUSTMENT:**

(The mobile radio broadcast volume has been pre-adjusted at the factory and should not need adjusting, but a gain adjustment is available in the transceiver module. Use a small flat blade screwdriver at this position if additional volume adjustment is needed.)

Press the black PTT switch at the handlebar & speak directly into helmet microphone. SET VOLUME TO MATCH LOUDNESS OF RADIO HANDMIC

NOTE: When testing volume, make sure the helmet microphone is on axis (not rotated) and held close to the users mouth (within 1/4").

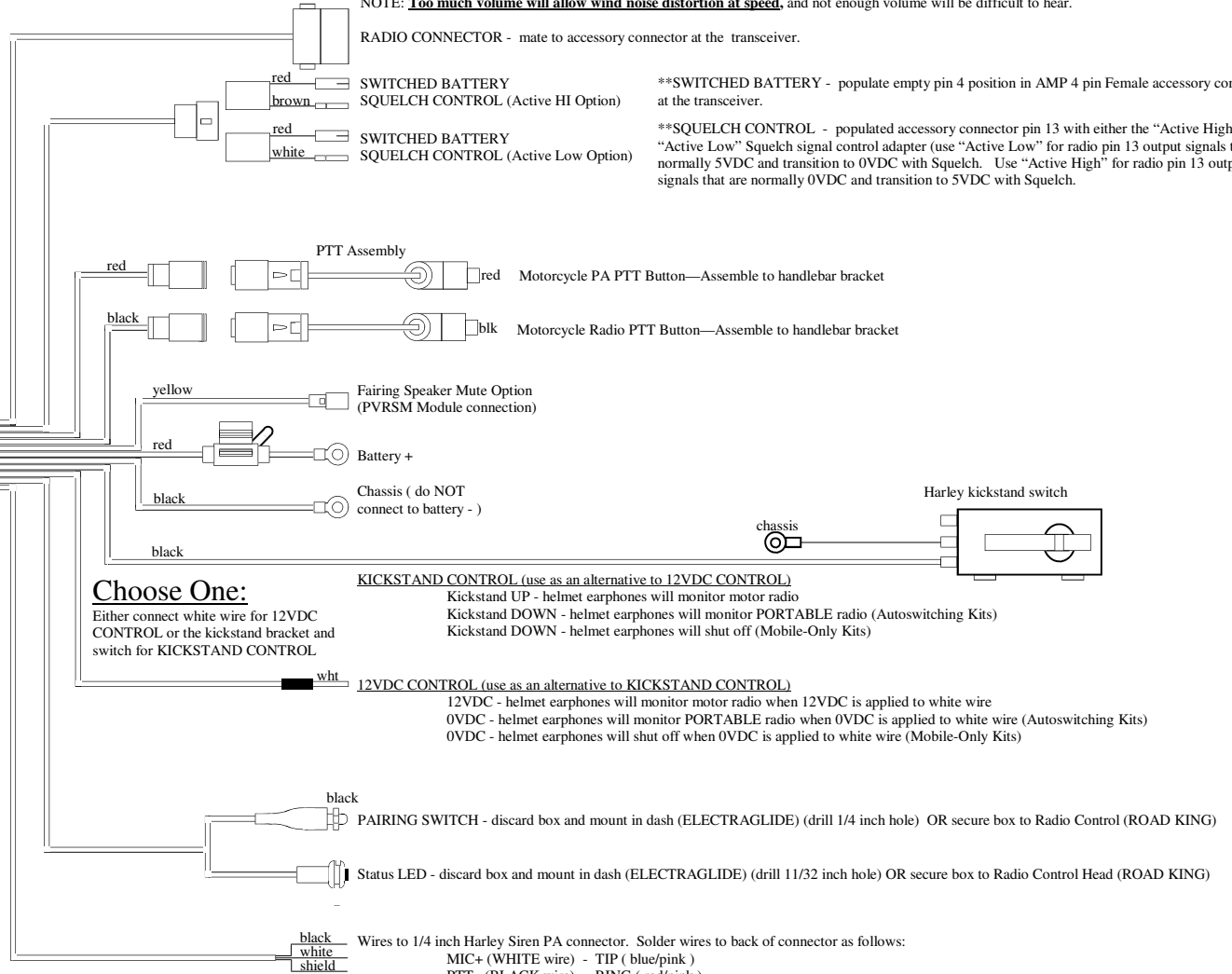
NOTE: Mobile Radio broadcast feature is rated for operation within 15 ft of the motorcycle (line-of-sight).

NOTE: **Too much volume will allow wind noise distortion at speed**, and not enough volume will be difficult to hear.

RADIO CONNECTOR - mate to accessory connector at the transceiver.

**SWITCHED BATTERY SQUELCH CONTROL (Active HI Option)** \*\*SWITCHED BATTERY - populate empty pin 4 position in AMP 4 pin Female accessory connector at the transceiver.

**SWITCHED BATTERY SQUELCH CONTROL (Active Low Option)** \*\*SQUELCH CONTROL - populated accessory connector pin 13 with either the "Active High" or "Active Low" Squelch signal control adapter (use "Active Low" for radio pin 13 output signals that are normally 5VDC and transition to 0VDC with Squelch. Use "Active High" for radio pin 13 output signals that are normally 0VDC and transition to 5VDC with Squelch.



**Choose One:**

Either connect white wire for 12VDC CONTROL or the kickstand bracket and switch for KICKSTAND CONTROL

**KICKSTAND CONTROL (use as an alternative to 12VDC CONTROL)**

- Kickstand UP - helmet earphones will monitor motor radio
- Kickstand DOWN - helmet earphones will monitor PORTABLE radio (Autoswitching Kits)
- Kickstand DOWN - helmet earphones will shut off (Mobile-Only Kits)

**12VDC CONTROL (use as an alternative to KICKSTAND CONTROL)**

- 12VDC - helmet earphones will monitor motor radio when 12VDC is applied to white wire
- 0VDC - helmet earphones will monitor PORTABLE radio when 0VDC is applied to white wire (Autoswitching Kits)
- 0VDC - helmet earphones will shut off when 0VDC is applied to white wire (Mobile-Only Kits)

**PAIRING SWITCH** - discard box and mount in dash (ELECTRAGLIDE) (drill 1/4 inch hole) OR secure box to Radio Control (ROAD KING)

**Status LED** - discard box and mount in dash (ELECTRAGLIDE) (drill 11/32 inch hole) OR secure box to Radio Control Head (ROAD KING)

Wires to 1/4 inch Harley Siren PA connector. Solder wires to back of connector as follows:

- MIC+ (WHITE wire) - TIP (blue/pink)
- PTT (BLACK wire) - RING (red/pink)
- GND (SHIELD wire) - SLEEVE (white/pink)

**PA VOLUME:**

Adjust helmet microphone PA transmit volume with a small flat screwdriver on the siren amplifier (to access, remove Philips head at siren amplifier).

NOTE: An additional gain adjust is available in the Control Module if additional volume adjustment is needed.

NOTE: When testing PA volume, make sure the siren speaker is directed to an open area to avoid improper feedback.

NOTE: When testing PA volume, make sure the helmet microphone is on axis (not rotated) and held close to the users mouth (within 1/4").

# PROGRAMMING

**AUTOSWITCHING SYSTEM PAIRING:** The motor kit must be “paired” to a shouldermic. This creates a unique wireless link between the shouldermic and the motor kit. Once a pairing procedure has been performed, the link is “remembered” by both. A new pair may be established at any time, but until then, the shouldermic and the motor kit will remain “faithful”, responding only to their mate. They will remember who their mate is—even after having been powered off.

- A) Connect helmet to shouldermic. The shouldermic will power on and the LED will begin to flash.  
**NOTE:** Helmet must be connected to the shouldermic to power on.
- B) Power off by pressing the power switch for 2-3 seconds until the LED transitions to a solid color, then release.
- C) Turn on the mobile radio to activate the Motor Kit (auto power-on mode) - the motor status LED will begin to flash. Manually power off the Motor Kit by pressing the power switch for 2-3 seconds until the status LED transitions to a solid color. The release.
- D) From the powered off condition, press the Motor Kit power switch for 7-9 seconds until the LED begins toggling red-green-red-green, then release. The motor has powered on into pairing mode and is searching for a mate.
- E) *Immediately after releasing the switch at the motor*, press the power switch at the shouldermic (from the powered off condition) for 7-9 seconds until the LED begins toggling red-green-red-green, then release. The shouldermic has now powered on into pairing mode and searching for a mate.
- Within 15 seconds both devices will display a green status LED pulse, indicating that they have been successfully paired to each other.

**MOBILE-ONLY SYSTEM PAIRING:** The motor kit must be “paired” to a Headset. This creates a unique wireless link between the Headset and the motor kit. Once a pairing procedure has been performed, the link is “remembered” by both. A new pair may be established at any time, but until then, the Headset and the motor kit will remain “faithful”, responding only to their mate. They will remember who their mate is—even after having been powered off.

- A) If the Headset LED is flashing, power off the Headset by pressing the power switch for 2-3 seconds until the LED transitions to a solid color, then release.
- B) Turn on the mobile radio to activate the Motor Kit (auto power-on mode) - the motor status LED will begin to flash. Manually power off the Motor Kit by pressing the power switch for 2-3 seconds until the status LED transitions to a solid color. The release.
- C) From the powered off condition, press the Motor Kit power switch for 7-9 seconds until the LED begins toggling red-green-red-green, then release. The motor has powered on into pairing mode and is searching for a mate.
- D) *Immediately after releasing the switch at the motor*, press the power switch at the Headset (from the powered off condition) for 7-9 seconds until the LED begins toggling red-green-red-green, then release. The Headset has now powered on into pairing mode and searching for a mate.
- Within 15 seconds both devices will display a green status LED pulse, indicating that they have been successfully paired to each other.

## **POWER ON/OFF MODES:**

**NOTE:** The Motor Kits are factory set for auto power-on mode where they will power on automatically whenever the radio power is turned on. It is recommended to leave the Kit in this configuration.

The Motor Kit may be configured for “auto power-on” mode or “manual power-on” mode:

“Auto power-on” mode causes the motor kit to power on automatically whenever it is provided with “switched battery” power through the radio interface cable connection to the mobile radio.

“Manual power-on” mode causes the motor kit to be powered on when the “Power” button is pressed. To perform a manual power-on, turn on the mobile radio, then press and hold the Power switch for 2-3 seconds until the Status LED lights. Release the switch.

**NOTE:** Reverse the 2-3 second procedure to manually power off.

### Changing power-on modes

Verify the Kit is powered on. Press the power switch quickly 5 times within one second to place the kit in manual power-on mode. Press the power switch quickly 4 times within one second to place the kit in auto power-on mode.



## **INSTALLATION and OPERATING INSTRUCTIONS**

### **Motor-One™ Wireless Mobile Radio Interface Kit with PA Broadcast for Police Motorcycles**

**United States Patents: 7,062,301 6,311,052 7,203,525**

*QUESTIONS? call us at 800-584-4119 Monday through Friday, 7AM to 4PM Pacific Time, USA.*

## **AUTOSWITCHING OPERATION**

### **HELMET DISCONNECTED**

- 1) Attach shouldermic to portable radio, turn the radio on.
  - 2) Press shouldermic PTT switch to transmit.
- NOTE:** An additional PTT switch is located on the radio connector.
- 3) Receive audio will play at the shouldermic speaker.

### **HELMET ATTACHED and MOTORCYCLE KICKSTAND DOWN**

- 1) Attach headset to shouldermic.
  - 2) The following will occur:
    - A) The shouldermic speaker will mute and portable radio will play at the helmet earphones.
    - B) The helmet microphone will now be activated when PTT switch is pressed.
    - C) The wireless transceiver will power-on (auto power-on mode) and the status LED will begin flashing.
- NOTE:** The shouldermic contains a rechargeable battery that powers the internal wireless transceiver, and should be charged each day. Charger connects at the headset connector port.
- ### **HELMET ATTACHED and MOTORCYCLE KICKSTAND UP**
- When paired (see **PAIRING** procedure), the shouldermic and motor kit status LED's will display a green pulse, allowing the following:
- 1) The black handlebar PTT switch will activate mobile radio transmit using the helmet microphone.
  - 2) The red handlebar PTT switch will activate PA broadcast using the helmet microphone.
- NOTE:** Regardless of kickstand position, any PTT switch can be used *at any time*.
- 3) The shouldermic PTT switch will activate portable radio transmit using the helmet microphone.
- NOTE:** For Motor Kits equipped with Remote Speaker Mute (PV-RSM) option, pressing the PTT switch at the Shouldermic will cause the mobile radio speaker to mute.
- 4) Helmet Earphones - With the kickstand is up, helmet earphones will play the mobile radio. With the kickstand down, helmet earphones will play the portable radio.

## **MOBILE-ONLY OPERATION**

- 1) Turn the Wireless Headset on. The Headset status LED will begin flashing.
- NOTE:** The Headset contains a rechargeable battery that powers the internal wireless transceiver, and should be charged each day.
- 2) When paired (see **PAIRING** procedure), the Headset and Motor Kit status LED's will display a green pulse, allowing the following:
    - a) The black handlebar PTT switch will activate mobile radio transmit using the helmet microphone.
    - b) The red handlebar PTT switch will activate PA broadcast using the helmet microphone.
- NOTE:** Regardless of kickstand position, any PTT switch can be used *at any time*.
- c) Helmet Earphones - With the kickstand is up, helmet earphones will play the mobile radio. With the kickstand down, helmet earphones will be turned off.