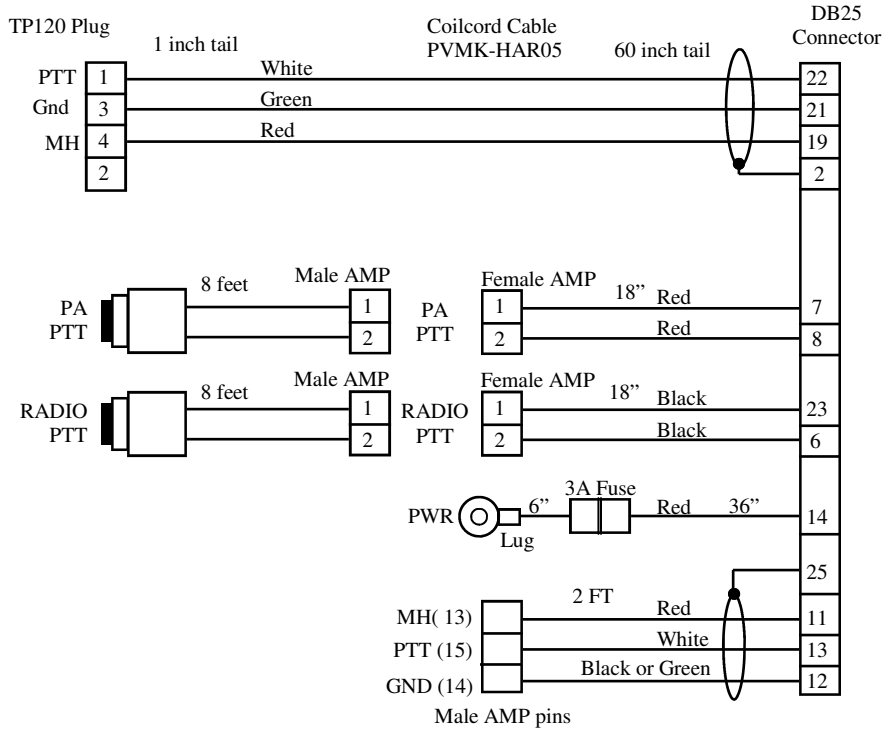


This document shall be considered PVP Communications, Inc. proprietary information and not be disclosed to any third party without the prior written consent of PVP Communications, Inc.

Date	Authorized	Description	Rev
06/4/2002	MD	Change headset pigtail to coilcord	A
7/17/2002	MD	Change pigtail length	B
2/6/2003	MD	Delete chassis lead	C
5/20/2003	MD	Change PA cable length	D
1-15-04	MD	Add R and C at PA	E
6-28-08	MD	Remove R and C at PA	F



NOTE:

Kit includes: Harness Assy PV-P-C3-H01
Module Assy PVPCB-PK01 (not shown)

NOTE:

- Grind out holes in box and lid
- Cover shields in DB25 connector

PART NUMBER:

PV- P-C3

CODE	DESCRIPTION
B	BMW PTT (no Brkt)
H	Harley PTT
K	Kawasaki PTT
G	Generic PTT

PVP Communications, Inc

Eng	Title: Motor Kit, "Portable Only" with Code3 Siren PA
Check	
Date: 05/15/2002	
Sheet 1 of 1	Drawing No: PV-P-C3