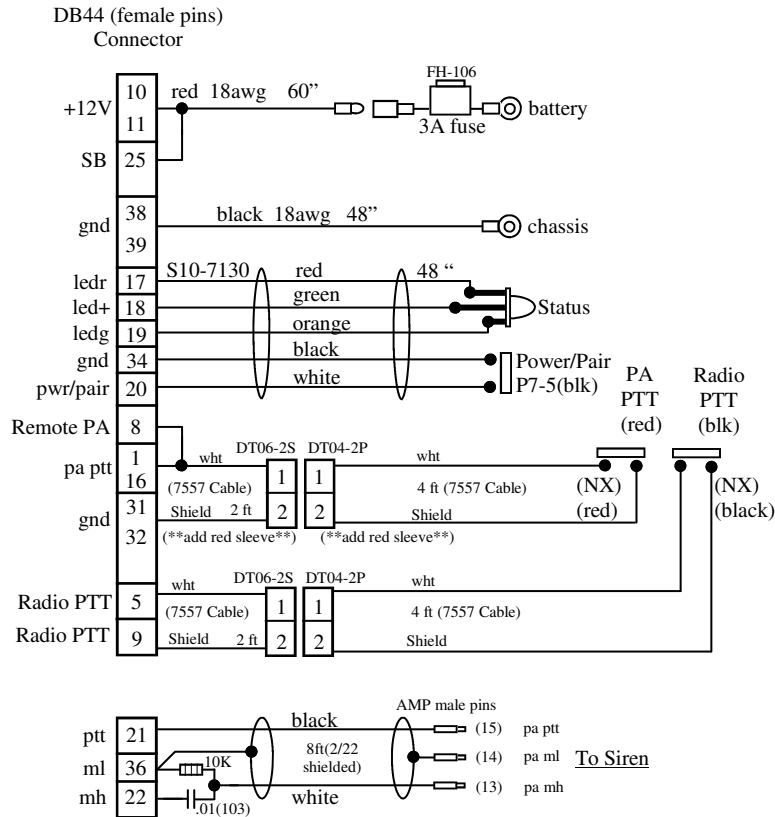


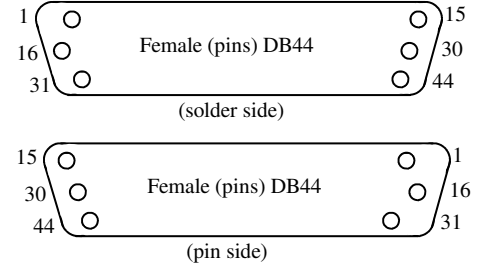
This document shall be considered PVP Communications, Inc. proprietary information and not be disclosed to any third party without the prior written consent of PVP Communications, Inc.

Date	Authorized	Description	Rev
10/5/2012	MD	Release	NC



LABEL:

PV-RT12-C3-XMH
Rev C



NOTES:

- 1) Assemble L30022 lens cap to LED, cover with adhesive sleeve, and install into GRM219P grommet
- 2) Label as shown and include installation instructions
- 3) Ream DB44 (plastic) backshell with 1/2" Drill
- 4) Complete assembly includes Module (PN: PVG3) (not shown), PTT Assembly PN: PVPTT-B02-DT, and Harness Assembly PN: PV-RT12-C3-XMH
- 5) Drill 1/4" hole to install P7-5 switches on motor, drill 11/32" hole to install LED grommet on motor
- 6) Include dual RT1200 PTT bracket (not shown) PN: PVRT12PTT-02

PVP Communications



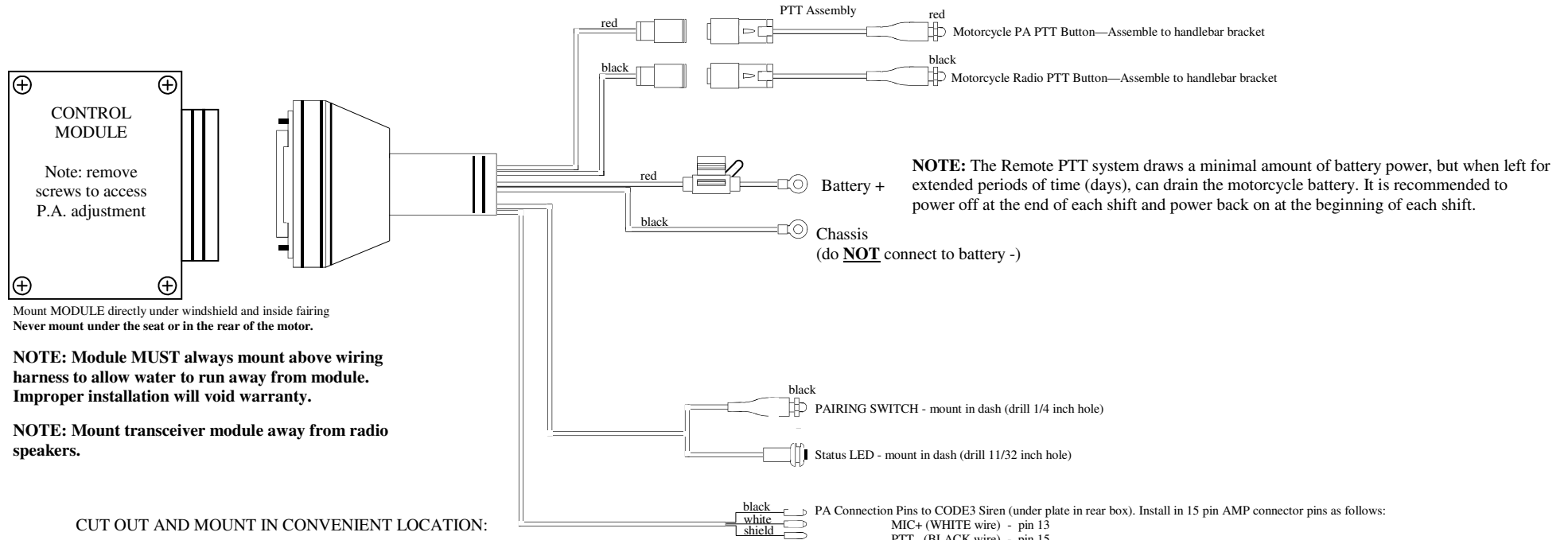
Eng	Title: Motor Kit, Portable-Only with CODE3 Siren, Freedom Wireless, for BMW RT1200
Check	
Date: 06/25/2007	
Sheet 1 of 1	Drawing No: PV-RT12-C3/G3

INSTALLATION DIAGRAM

Included in this Kit:

- 1) Control Module: PVG3
- 2) Harness Assembly: PV-RT12-C3-XMH
- 3) PTT Bracket: PVRT12PTT-02
- 4) PTT Assembly: PVPTT-B02-DT
- 5) Tie Wraps (15)

QUESTIONS? call us at 800-584-4119 Monday through Friday, 7AM to 4PM Pacific Time, USA.



CUT OUT AND MOUNT IN CONVENIENT LOCATION:

QUICK REFERENCE PAIRING PROCEDURE

NOTE: Confirm no other Bluetooth devices are in the immediate area

- 1)POWER OFF** all three devices (Radio, Headset, and Remote PTT)
- 2)PLACE SPEAKERMIC IN PAIRING MODE.** Press/Hold the recessed micro-switch, then turn Radio on. Hold until the status LED toggles red-green-red
- 3)PLACE REMOTE PTT IN PAIRING MODE.** Press/Hold the power switch until status LED toggles red-green-red
- 4)PLACE HEADSET IN PAIRING MODE.** Press/Hold the power switch until a fast hi-lo hi-lo set of beeps occur

PROGRAMMING

PAIRING PROCEDURE: Each Headset must be dedicated (“Paired”) to its corresponding Speakermic and Remote PTT before operation. Follow the steps below to Pair:

NOTE: Prior to pairing, confirm no other Bluetooth devices are in the immediate area – other devices can potentially disrupt the pairing process.

Step 1: Power OFF all three devices (Radio, Headset, and Remote PTT)

Step2: Place the Speakermic in pairing mode by pressing and holding the recessed micro-switch (located just below the PTT switch), and then turn the Radio on. The LED indicator will activate. **DO NOT RELEASE THE SWITCH.** Continue holding the switch until the status LED toggles red-green-red (about 7 seconds), then release.

Step3: Immediately place the Remote PTT in pairing mode by pressing and holding the power switch. The LED indicator will activate. **DO NOT RELEASE THE SWITCH.** Continue holding the switch until the status LED toggles red-green-red (about 7 seconds), then release.

Step4: Immediately place the Headset in pairing mode by pressing and holding the power switch. After 2 seconds, 2 beeps indicating power on will occur. **DO NOT RELEASE THE SWITCH.** Continue holding the switch for another 5 seconds until a fast hi-lo hi-lo set of beeps occur, then release.

NOTE: All three devices will be confirmed as paired when a green pulse is indicated on the Speakermic and Remote PTT, and an increasing set of tones is played at the Headset.

POWER ON/OFF MODES:

NOTE: Motor Kits are factory set for auto power-on mode where they will power on automatically whenever 12VDC is applied to the fused battery wire. It is recommended to connect the fused battery wire directly to motorcycle battery power.

The Motor Kit powers on/off manually with the “Pairing” switch. To perform a manual power-on, make sure 12VDC is applied to the fused battery wire (it’s recommended to keep the fused battery wire directly connected to the battery), then press and hold the “Pairing” switch for 2-3 seconds until the Status LED lights. Release the switch.

NOTE: Reverse the 2-3 second procedure to manually power off.

NOTE: The Remote PTT system draws a minimal amount of battery power, but when left for extended periods of time (days), can drain the motorcycle battery. It is recommended to power off at the end of each shift and power back on at the beginning of each shift.

INSTALLATION and OPERATING INSTRUCTIONS

Freedom™ Wireless Portable Radio Interface Kit with PA Broadcast for Police Motorcycles

United States Patents: 7,062,301 6,311,052 7,203,525

QUESTIONS? call us at 800-584-4119 Monday through Friday, 7AM to 4PM Pacific Time, USA.

OPERATION The Freedom Series SPO (Simple Portable Only) is designed for Motor Officers who want the ability to communicate using their Portable Radio while riding their Motor and wearing a helmet. There are three modes of **OPERATION:**

MODE1 - HELMET OFF: With the Speakermic attached to the radio and the Helmet removed, the Portable Radio will play receive audio at the Speakermic speaker. Transmit audio is achieved by pressing and holding the Push-to-Talk (PTT) button on the Speakermic and speaking into the Speakermic.

MODE2 - HELMET ON: With the Speakermic attached to the radio and the Helmet worn (Helmet must be previously powered on), the Speakermic will automatically mute it’s speaker and microphone, and the earphones and microphone in the helmet will automatically be activated. The Portable Radio will now play receive audio at the Headset earphones. Transmit audio is achieved by pressing and holding the Push-to-Talk (PTT) button on the Speakermic and speaking into the Headset microphone. Removing the Helmet automatically reverses operation to Mode 1.

NOTE: It is recommended that the **helmet be left powered “ON”**, this will allow for automatic MODE changes when the helmet is taken on/off.

MODE3 - REMOTE RADIO PTT: A wireless remote PTT function is also provided at the left handlebar. Pressing and holding the BLACK handlebar PTT switch with the helmet worn causes the helmet microphone to broadcast over the Portable Radio.

REMOTE PUBLIC ADDRESS (PA) PTT:

*****For Freedom Series SPO with PA users,** pressing and holding the RED handlebar PTT switch with the helmet worn causes the helmet microphone to broadcast over the Siren System for Public Address purposes.

CONTROLS:

Headset Power (momentary pushbutton switch located on the left earcup)

To Power ON: Hold until 2 beeps sound in Headset earphones, then release.

To Power OFF: Hold until 3 beeps sound in Headset earphones, then release.

Speakermic Power Powers ON/OFF automatically with the Radio

Remote PTT Power (momentary pushbutton switch and LED located on the fairing)

To Power ON: Hold switch for 3 seconds and release. LED indicator will begin flashing.

To Power OFF: Hold switch for 3 seconds, LED indicator will go solid green, then release.

CHARGING:

Speakermic: powered by Portable Radio. No charging necessary.

Headset: powered by an internal Li-Ion battery. Use the charger supplied with the headset to charge. DO NOT use any other charger other than the charger provided with this headset.

NOTE: For longer battery life, LEAVE HEADSET POWERED ON and the charger connected to the headset while not in use, preferably in a cool dry environment.

Remote PTT: powered by Motorcycle battery. No charging necessary.

HEADSET TONE INDICATORS:

Power On: two beeps

Power Off: three beeps

Pairing Mode: fast Hi-Lo Hi-Lo beep

Auto-Disconnect: Decreasing Series of Tones

Auto-Connect: Increasing Series of Tones

PTT confirmation: Short beep